

Partizan CDM-VF33H-IR HD

Main features:

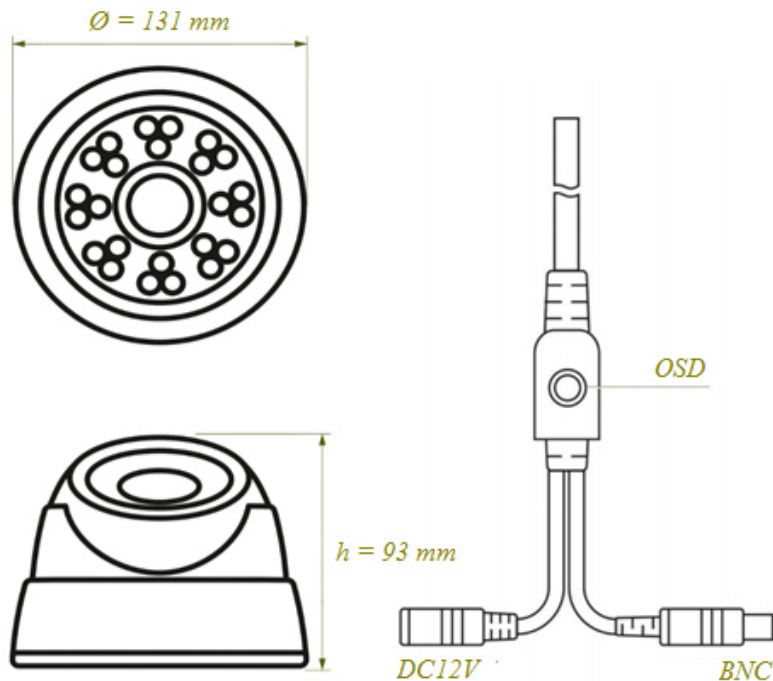
- ✓ AHD camera
- ✓ 1.0 Mp resolution
- ✓ Dome type
- ✓ Varifocal lens
- ✓ IR leds
- ✓ Weatherproof housing
- ✓ IP66 rating
- ✓ 3-Axis mounting
- ✓ OSD menu



Camera model		CDM-VF33H-IR HD	
Version		3.0	
Sensor		1/4" OmniVision	
Sensitivity		0.5 Lux at F1.4	
Resolution		Analog: 1000TVL AHD-M: 1280x720@25fps, AHD-L: 960x576@25fps	
IR LED	Distance	Up to 30 m	
	Beam Spread	60°	
IR Cut Filter	Wavelength	850 nm	
	Wavelength	Auto	
Lens	Focal length	2.8 - 12 mm	
	Iris	F1.4	
	Angle of View	Hor.	70 °– 18.56°
Exposure mode	Vert.	43° – 10.50°	
	Automatic		
Day/Night mode	Manual	1/50s – 1/100000s	
	Manual	Auto / Color / Black&White	
Pixel Size		3.0 μm x 3.0 μm	
Dynamic Range		69 dB	
SNR		39 dB	
Video functions (SoC)		AES, AGC, AWB, ABF, ABL, OSD, PrivacyMasks.	
Video out	System	PAL	
	Output	1Vpp, 75Ω	
Alarm	Inputs	None	
	Outputs	None	
Power consumption	DC12V	0,450 A	
Dimension	Body	Ø131x93 mm	
IP rating		IP66	
Operating t°		-40°C - +60°C	
Weight		600 g	
Warranty		3 years	

Camera Kit: Manual, substrate for mounting, set of dowels.

Installation Manual



OSD operation mode



- U (Up) - Cursor moving upwards to the desired item*
- R (Right) - AHD-M (720p) mode*
- D (Down) - PAL/NTSC switching mode*
- L (Left) - AHD-L (960H) or Analog (1000 TVL) mode*
- Enter - Displaying main menu*

DC12V - an electrical connector for supplying direct current (DC) power.
Please, use DC Power Plug Connector with 5.5 mm outside diameter.
For switching modes by OSD menu need to hold button up to 3 seconds

- For easy mounting we provide substrate, which schematically noted designated for drilling the mounting surface.
- Using included dowels, mount the camera on the surface.
- After mounting the camera, adjust the dome angle.