



PARTIZAN™

Partizan CDM-VF32HQ-7 1.1 White

Main features:

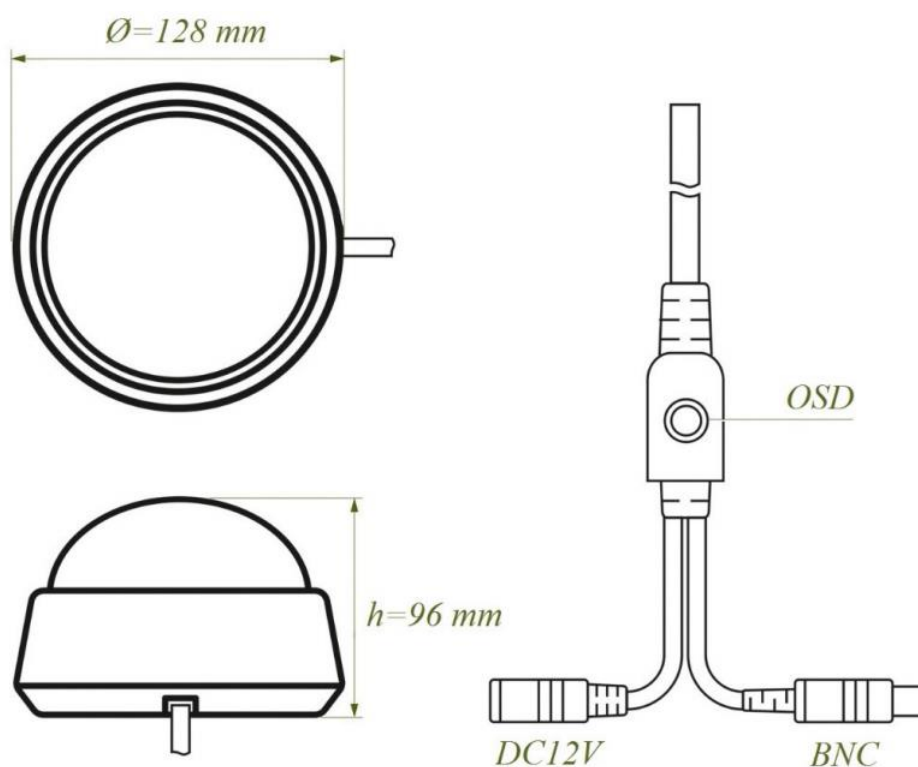
- ✓ Analog camera
- ✓ 3-Axis mounting
- ✓ Dome type
- ✓ Varifocal lenses
- ✓ IP44 rating
- ✓ Indoor use only
- ✓ 2.8-12 mm lenses
- ✓ 1000 TVL
- ✓ OSD menu



Camera model		CDM-VF32HQ-7 1.1 White	
Sensor		1/3" SONY Exmor CMOS 720p Gen II	
Sensitivity		0,005 Lux	
Resolution		1000 TVL	
IR Cut Filter		Auto	
Lens	Focal length		2,8-12 mm
	Iris		F1.4
	Angle of View	Hor.	86° - 25°
		Vert.	55° - 14°
Exposure mode	Automatic		1/50s – 1/100000s
	Manual		1/50s – 1/100000s
Day/Night mode		Auto / Day / Night	
Pixel Size		3.75 um x 3.75 um	
Dynamic Range		65 dB	
SNR		48 dB	
Video functions (SoC)		3D-DNR, Auto white balance, Auto gain control, Back light compensation, Digital zoom, Privacy zones, Motion detection	
Video out	System		PAL
	Output		1Vpp, 75Ω
Alarm	Inputs		None
	Outputs		None
Power consumption	DC12V	0,100A	
Dimension	Body	Ø96x128mm	
IP rating		IP44	
Operating t°		+10°C - +50°C	
Weight		270 g	
Warranty		2 years	

Camera Kit: Manual, substrate for mounting, set of dowels.

Installation Manual



BNC - is a standard type of connector for coaxial cables.

DC12V - an electrical connector for supplying direct current (DC) power.
Please, use DC Power Plug Connector with 5.5 mm outside diameter.

- For easy mounting we provide substrate, which schematically noted designated for drilling the mounting surface.
- Using included dowels, mount the camera on the surface.
- After mounting the camera, adjust the dome angle.