

## Partizan CDM-VF31S

### Main features:

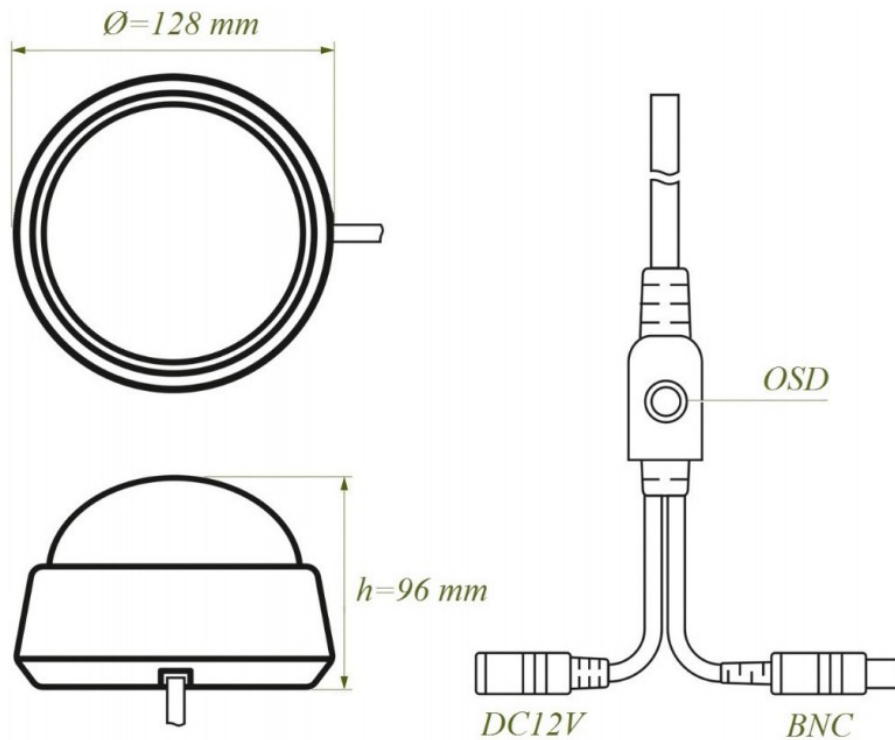
- ✓ Analog camera
- ✓ 800 TVL
- ✓ Dome type
- ✓ 2.8-12 mm lenses
- ✓ IP44 rating
- ✓ Indoor use only
- ✓ 3-Axis mounting



Camera model		CDM-VF31S	
Version		1.1	
Sensor		1/3" Hi-Res CMOS Pro Gen IV	
Sensitivity		0,01 Lux	
Resolution		800 TVL	
	Distance	None	
	Beam Spread	None	
IR LED	Wavelength	None	
IR Cut Filter		None	
	Focal length	2,8-12 mm	
	Iris	F1.4	
	Angle of View	Hor.	81° - 23°
Vert.		65° - 12°	
Exposure mode	Automatic	1/50s – 1/100000s	
Day/Night mode		Auto / Color / Black and White	
Pixel Size		5.00 um x 7.40 um	
Dynamic Range		63.5 dB	
SNR		46.4 dB	
Video functions (SoC)		Gamma/Defect/Color correction, Low pass filter, Color interpolation, Saturation, Edge enhancement, Brightness, Contrast, Special effects, Auto black level, Auto white balance, Auto exposure control and Back light compensation	
Video out	System	PAL	
	Output	1Vpp, 75Ω	
Alarm	Inputs	None	
	Outputs	None	
Power consumption	DC12V	0,100 A	
Dimension	Body	Ø96x128 mm	
IP rating		IP44	
Operating t°		+10°C - +50°C	
Weight		270 g	
Warranty		2 years	

Camera Kit: Manual, substrate for mounting, set of dowels.

## Installation Manual



BNC - is a standard type of connector for coaxial cables.

DC12V - an electrical connector for supplying direct current (DC) power.  
Please, use DC Power Plug Connector with 5.5 mm outside diameter.

- For easy mounting we provide substrate, which schematically noted designated for drilling the mounting surface.
- Using included dowels, mount the camera on the surface.
- After mounting the camera, adjust the dome angle.