

Partizan PAB-FC2

Main features:

- ✓ Metal shell
- ✓ Resolution: 450 DPI
- ✓ Capacity:1000
- ✓ Output format: Wiegand26
- ✓ Operating Temperature: -20 ~ +50° C

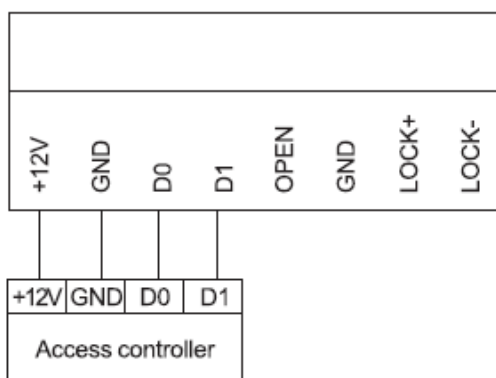


Model	PAB-FC2
Resolution	450 DPI
Scan time	< 1 S
Identification time	< 1 S
FAR	< 0.0000256 %
FRR	< 0.0198 %
Capacity	1000
Output format	Wiegand26
Dimensions	120×72×25 mm
Operating Temperature	-20~+50 °C
Operating Humidity	20-95 %
Input voltage	DC 12~24 V
Idle current	≤ 10 mA
Active current	≤ 80 mA
Casing Material	Metal shell

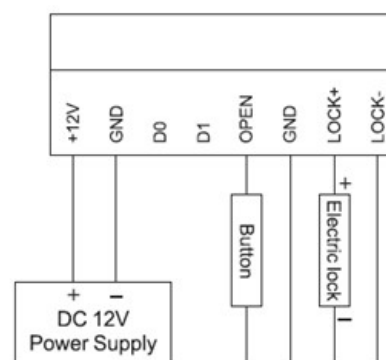
Metal shell, Simple & fashion design, using biometric fingerprint recognition to open the door, secure and reliable.

Connection

Connection to the access controller (reader mode)



Wiring diagram



Principle of the electric lock connection

