



PARTIZAN TM

Partizan IPO-VF2LP POE

Main features:

- ✓ Full HD resolution
- ✓ IR leds
- ✓ Varifocal lens
- ✓ Weatherproof housing
- ✓ PoE supported
- ✓ iOS & Android Free Software
- ✓ Free Surveillance software included



Camera model	IPO-VF2LP POE			
Sensor	1/2.8" Full HD Sony CMOS sensor			
Sensitivity	0.1 Lux at F1.4			
Pixel Size	2.8 μm x 2.8 μm			
Resolution	Main Stream	1920x1080@25fps, 702x576@25fps		
	Sub Stream	704x576@25fps, 352x288@25fps		
IR LED	Distance	Up to 60 m		
	Beam Spread	30°		
IR Cut Filter	Wavelength	850 nm		
	Auto	Auto		
Lens	Focal length	6.22 mm		
	Iris	F1.4		
	Angle of View	Hor.	47.10° - 13.56°	
		Vert.	27.55° - 7.65°	
Exposure mode	Auto	0,256 – 65 ms		
	Manual	1/50s – 1/10000s		
Day/Night mode	Auto / Color / Black and White			
Video functions	BLC, DWDR, AGC, Slow Shutter, OSD, Privacy Masks.			
Codec profile	H.264	Baseline / Main / High		

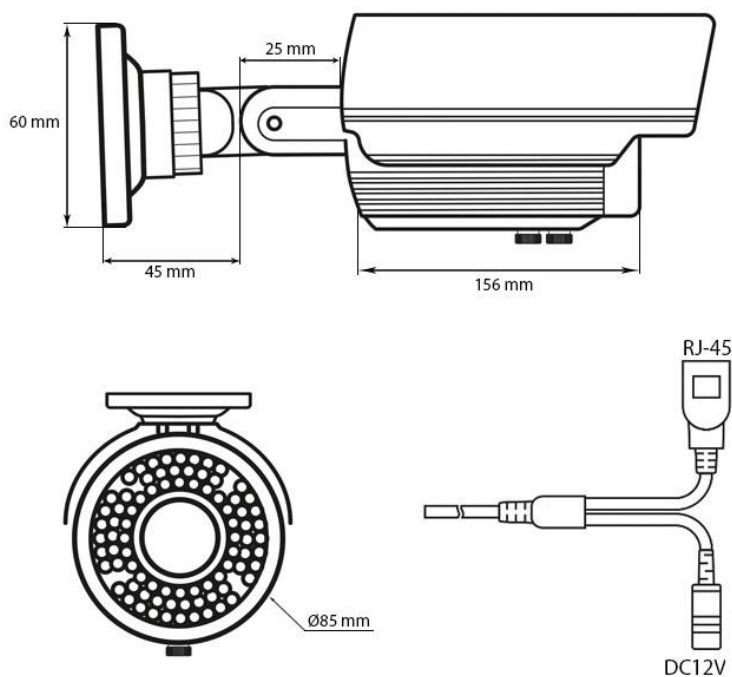
Bitrate	Type	Constant	1024 kb/s - 8192 kb/s
		Variable	Worst / Worse / General / Good / Better / Best
Network functions		Partizan NoIP, DDNS, IP Filter, Email, NTP, PPPoE, UPNP, FTP, RTSP	
Browser supported		Internet explorer, Opera, Mozilla Firefox, Google Chrome	
Languages		English, Russian, Arabic, French, Poland, Romanian, Hungarian, Italian, Portuguese	
Alarm	Inputs	None	
	Outputs	None	
Power consumption	DC12V	0.5 A	
	PoE	6W (PoE class 2)	
Dimension	Body	Ø85x156 mm	
	Bracket	Ø60x70 mm	
IP rating	IP66		
Operating t°	-35°C - +55°C		
Weight	915 g		
Software supported	Free	CMSPartizan	
	Professional	AxxonNext, Intellect, SecurOS, Milestone, Macroscop	
Mobile software	iOS	vMEyeSuper, vMEyeCloud	
	Android	vMEyeSuper, vMEyeCloud	
System Integration		Partizan SDK, Onvif 2.0	
Warranty	2 years		

Camera Kit: Multilanguage manual, Software CD, substrate for mounting, set of keys and screws.

Network settings

Default IP address	192.168.1.10
Username	Admin
Password	No password! Default password is empty.
Web port	80
Onvif port	8899
RTSP port	554
RTSP string	rtsp://192.168.1.10:554/user=admin&password=&channel=1&stream=0.sdp?
Control port	34567
Mobile port	34599

Installation Manual



- For easy mounting we provide substrate, which schematically noted designated for drilling the mounting surface.
- Using included dowels, mount the camera on the surface.
- After mounting the camera, adjust the dome angle.